



DIN 912

Bolt

INFO@NAMANPIPE.COM



DIN 912 bolt

DIN 912 bolt

Diameter: m1.6-m48

Length: 6-150mm

Thread Style: Full / Partial Thread

Head Style: Flat / Socket

Standard: DIN 912

Material: Alloy Steel / High Tensile / Nickel Alloy

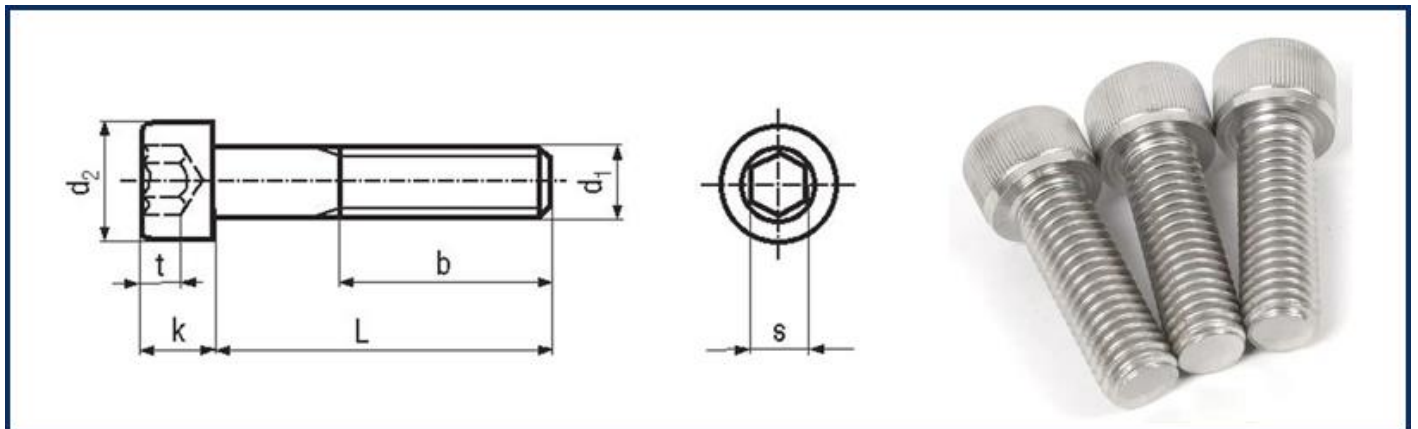
Surface Finish: Plain / Black / Zinc Plated

Tolerance: $\pm 0.03\text{MM}$



View DIN 912 socket head cap screw dimensions and torque

DIN 912 Socket Head Cap Screw Dimensions



Head Office: A-5 Haji Allarakha Building, 9th Khetwadi Lane, Girgaon. Mumbai - 400004, India

Email: info@namanpipe.com

Mobile No: +91 9004096535

Size (d1)	Key Size (s)		Head Height (k)		Head Diameter (d2)		Thread Pitch	Key Engagement (t)
	Min	Max	Min	Max	Min	Max		Nominal
M1.4	1.320	1.360	1.26	1.40	2.46	2.74	0.30	0.6
M1.6	1.520	1.560	1.46	1.60	2.86	3.14	0.35	0.7
M2	1.520	1.560	1.86	2.00	3.62	3.98	0.40	1
M2.5	2.020	2.060	2.36	2.50	4.32	4.68	0.45	1.1
M3	2.520	2.580	2.86	3.00	5.32	5.68	0.50	1.3
M4	3.020	3.080	3.82	4.00	6.78	7.22	0.70	2
M5	4.020	4.095	4.82	5.00	8.28	8.72	0.80	2.5
M6	5.020	5.140	5.70	6.00	9.78	10.22	1.00	3
M8	6.020	6.140	7.64	8.00	12.73	13.27	1.25	4
M10	8.025	8.175	9.64	10.00	15.73	16.27	1.50	5
M12	10.025	10.175	11.57	12.00	17.73	18.27	1.75	6
M14	12.032	12.212	13.57	14.00	20.67	21.33	2.00	7
M16	14.032	14.212	15.57	16.00	23.67	24.33	2.00	8
M18	14.032	14.212	17.57	18.00	26.67	27.33	2.50	9
M20	17.050	17.230	19.48	20.00	29.67	30.33	2.50	10
M22	17.050	17.230	21.48	22.00	32.61	33.39	2.50	11
M24	19.050	19.275	23.48	24.00	35.61	36.39	3.00	12
M27	19.065	19.275	26.48	27.00	39.61	40.39	3.00	13.5
M30	22.065	22.275	29.48	30.00	44.61	45.39	3.50	15.5
M33	24.065	24.275	32.38	33.00	49.61	50.39	3.50	18
M36	27.065	27.275	35.38	36.00	53.54	54.56	4.00	19
M39	27.065	27.275	38.38	39.00	57.54	58.46	4.00	22
M42	32.080	32.330	41.38	42.00	62.54	63.46	4.50	24
M45	32.080	32.330	44.38	45.00	66.54	67.46	4.50	24
M48	36.080	36.330	47.38	48.00	71.54	72.46	5.00	28
M56	41.080	41.330	55.26	56.00	93.46	84.54	5.50	34
M64	46.080	46.330	63.26	64.00	95.46	96.54	6.00	38
M72	55.100	55.400	71.26	72.00	107.46	108.54	6.00	43
M80	65.100	65.400	79.26	80.00	119.46	120.54	6.00	48
M90	75.100	75.400	89.13	90.00	134.37	135.63	6.00	54
M100	85.120	85.470	99.13	100	149.37	150.63	6.00	60

Head Office: A-5 Haji Allarakha Building, 9th Khetwadi Lane, Girgaon. Mumbai - 400004, India

Email: info@namanpipe.com

Mobile No: +91 9004096535

DIN 912 weight chart

Diameter	M 2	M 2.5	M 3	M 4	M 5	M 6	M 8	M 10	M 12	M 14	M 16	M 18	M 20	M 22	M 24	M 30	M 36	M 48
Length																		
3	0.155																	
4	0.175	0.345																
5	0.195	0.375	0.07															
6	0.215	0.405	0.07	1.05														
8	0.255	0.465	0.08	1.07	2.05													
10	0.295	0.525	0.09	1.08	2.07	4.07												
12	0.355	0.585	1.00	2.00	3.00	5.01	10.09											
16	0.415	0.705	1.02	2.03	3.05	5.08	12.01	20.09										
20	0.495	0.825	1.04	2.07	4.00	6.05	13.04	22.09	32.01									
25		0.975	1.06	3.02	4.08	7.06	15.00	25.04	35.07	48.00	71.03							
30			1.09	3.07	5.06	8.03	16.09	27.09	39.03	53.00	77.08	11.01	12.08					
35				4.02	6.03	9.09	18.09	30.04	42.09	58.00	84.04	12.00	13.09	21.01				
40				4.07	7.01	11.00	20.09	32.09	46.05	63.00	91.00	12.09	15.00	22.04	27.00			
45					7.09	12.01	22.09	36.01	50.01	68.00	97.06	13.08	16.01	23.07	28.05	50.00		
50					8.06	13.02	24.09	39.03	54.05	73.00	106.07	14.07	17.02	25.00	30.00	52.07		
55						14.03	26.09	42.05	58.09	78.00	114.04	15.06	18.03	26.03	31.06	55.04	87.00	

Head Office: A-5 Haji Allarakha Building, 9th Khetwadi Lane, Girgaon. Mumbai - 400004, India

Email: info@namanpipe.com

Mobile No: +91 9004096535

60						15 .4	28 .9	45 .7	63. 4	84	12 2	16 5	19 4	27 6	33 0	58 1	91 0	
65							31 .0	48 .9	67. 8	90	13 0	17 4	20 5	29 1	34 5	60 8	95 0	
70							33 .0	52 .1	71. 3	96	13 8	18 3	21 6	30 6	36 3	63 5	99 0	20 40
80							37 .0	58 .5	80. 2	10 8	15 4	20 3	24 1	33 6	39 9	69 0	10 70	21 80
90								64 .9	89. 1	12 0	17 0	22 3	26 6	36 6	43 5	74 5	11 50	23 20
100								71 .2	98. 0	13 2	18 6	24 3	29 1	39 6	47 1	80 0	12 30	24 60
110									10 7.0	14 4	20 2	26 3	31 6	42 6	50 7	85 5	13 10	26 00
120									11 6.0	15 6	21 8	28 3	34 1	45 6	54 3	91 0	13 90	27 40
130										16 8	23 4	30 3	36 6	48 6	57 9	96 5	14 70	28 80
140										18 0	25 0	32 3	39 1	51 6	61 5	10 20	15 50	30 20
150											26 6	34 3	41 6	54 6	65 1	10 80	16 30	31 60
160											28 2	36 3	44 1	57 6	68 7	11 30	17 10	33 00
180												40 3	49 1	63 6	75 9	12 40	18 70	35 90
200													54 1	69 6	83 1	13 50	20 30	38 70
220														75 6	90 3	14 60	21 90	41 50
240															97 5	15 70	22 50	44 30
260																16 80	24 10	47 10
280																17 90	25 70	49 90
300																19 00	27 30	52 70

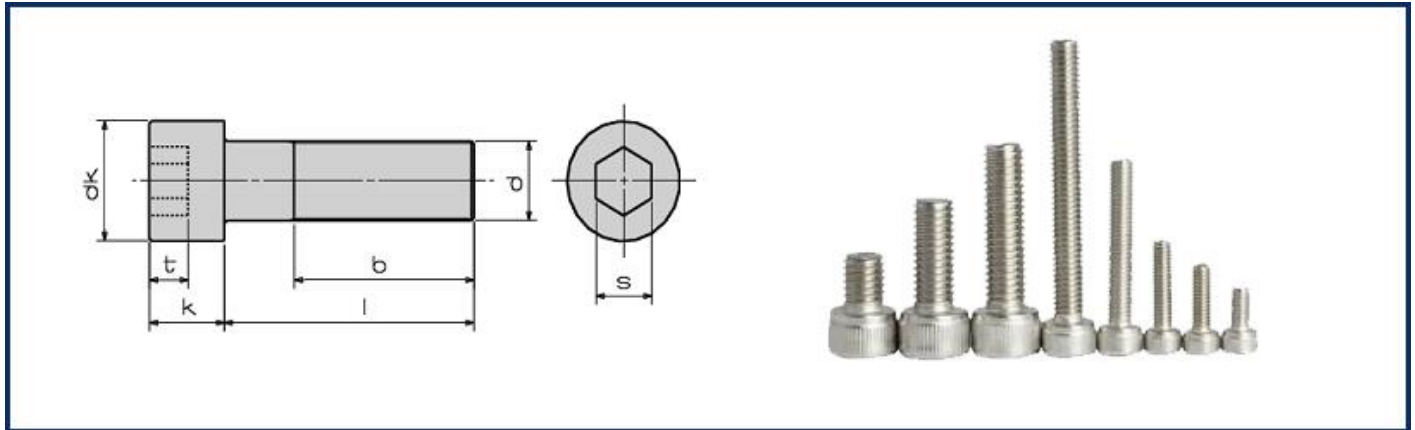
Head Office: A-5 Haji Allarakha Building, 9th Khetwadi Lane, Girgaon. Mumbai - 400004, India

Email: info@namanpipe.com

Mobile No: +91 9004096535

Check M12 DIN 912 Allen Bolt Size Chart

Allen DIN 912 Bolt Dimensions



Metric (d)	Thread Length (b)	Head diameter		Head high		Socket width			Socket Depth (t min.)
		(dk max.)	(dk min.)	(k max.)	(k min.)	(s Nom.)	(s min.)	(s max.)	
M 3	18,0	5,5	5,32	3,0	2,86	2,5	2,52	2,58	1,3
M 4	20,0	7,0	6,78	4,0	3,82	3,0	3,02	3,08	2,0
M 5	22,0	8,5	8,28	5,0	4,82	4,0	4,02	4,095	2,5
M 6	24,0	10,0	9,78	6,0	5,7	5,0	5,02	5,14	3,0
M 8	28,0	13,0	12,73	8,0	7,64	6,0	6,025	6,14	3,5
M 10	32,0	16,0	15,73	10,0	9,64	8,0	8,025	8,175	4,0
M 12	36,0	18,0	17,73	12,0	11,57	10,0	10,025	10,175	5,0
M 14	40,0	21,0	20,67	14,0	13,57	12,0	12,032	12,212	6,0
M 16	44,0	24,0	23,67	16,0	15,57	14,0	14,032	14,212	7,0
M 20	52,0	30,0	29,67	20,0	19,48	17,0	17,05	17,23	8,0
M 24	60,0	36,0	35,61	24,0	23,48	19,0	19,065	19,275	10,0
M 27	66,0	40,0	39,61	27,0	26,48	19,0	19,065	19,275	12,0
M 30	72,0	45,0	44,61	30,0	29,48	22,0	22,065	22,275	13,5

Head Office: A-5 Haji Allarakha Building, 9th Khetwadi Lane, Girgaon. Mumbai - 400004, India

Email: info@namanpipe.com

Mobile No: +91 9004096535

DIN 912 screw mechanical properties

Hardness (HRC)	Tensile Strength (Mpa)	Yield Strength at 0.2% Offset (Mpa)	Elongation (%)
39-44	1,220 min.	1,100 min.	8 min.

DIN 912 equivalent

- ISO 4762
- CSN 21143
- PN 82302
- UNI 5931

Price list of DIN 912 bolt

Product	Price in US (\$)	Price in Saudi Arabia
Class 12.9 DIN 912 Socket Head Cap Screw, Zinc Plated, M2.5-0.45 x 8 mm (100 Pcs)	US \$15.67	58.77 SAR
DIN 912 Socket Head Cap Screw, A2 Stainless Steel, M2.5-0.45 x 8 mm (100 Pcs)	US \$2.50	9.38 SAR
A4 Stainless Steel DIN 912 Socket Head Screw, M2.5-0.45 x 8 mm (100 Pcs)	US \$5.39	20.21 SAR
Class 10.9 Screw DIN 912, Plain Finish, M4-0.7 x 30 mm (100 Pcs)	US \$22.22	83.33 SAR
A4-80 Stainless Steel DIN 912 Socket Head Cap Screw, M6-1.0 x 30 mm	US \$40.11	150.42 SAR
M48-5.0 x 300 mm Class 12.9 Screw DIN 912, Plain Finish	US \$317.90	1192.22 SAR
DIN 912 Socket Head Cap Screw Fully Threaded, Plain Finish, Class 8.8, M3-0.5 x 25 mm	US \$10.78	40.43 SAR

Metric Diameters of DIN 912 screw

M1.4	M5	M18
------	----	-----

Head Office: A-5 Haji Allarakha Building, 9th Khetwadi Lane, Girgaon. Mumbai - 400004, India

Email: info@namanpipe.com

Mobile No: +91 9004096535

M1.6	M6	M20
M2	M7	M22
M2.5	M8	M24
M2.6	M10	M30
M3	M12	M42
M3.5	M14	M48
M4	M16	M80

Materials of DIN 912 Socket Cap Screws

Steel	300 Stainless (A1,A2, 18-8,304,310 etc.)
Grade 2	316, 317, A4 Stainless
Grade 2H	400 Stainless (405, 410,416,420,430 etc.)
Class 4.8	Superalloy (Inconel, Hastelloy, Alloy 20)
Class 8.8	Aluminum
Class 10.9	Brass
Class 12.9	Nylon (Polyamide)

Different coatings of DIN 933 hex bolt

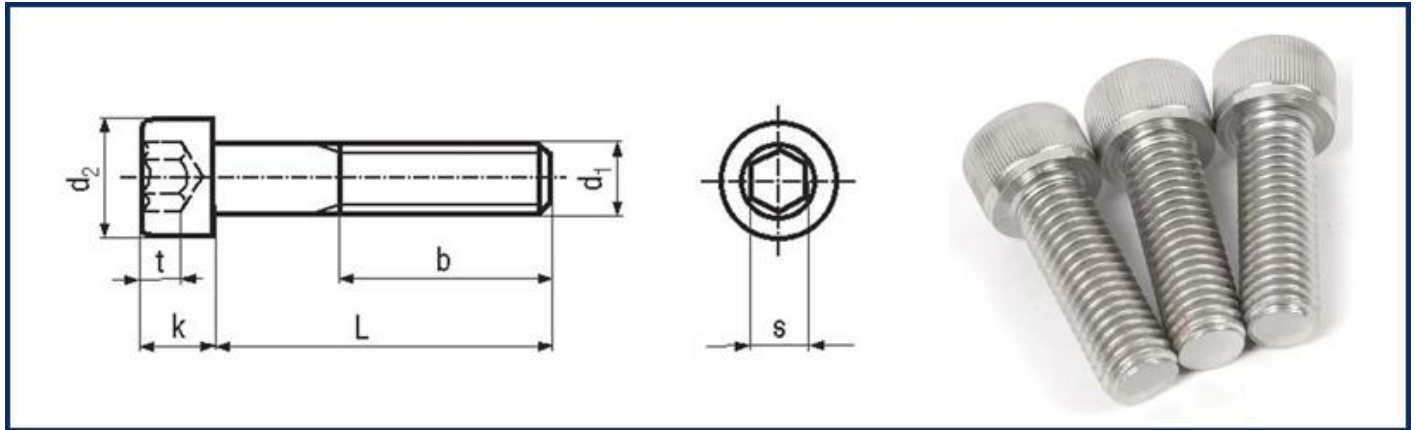
Plain	Electrolytic Zinc Basecoat + Topcoats (Climacoat, Climaseal, etc.)
Zinc/Clear	Black Oxide
Zinc/Yellow	Cadmium
Zinc/Black	Nickel
ASTM F1941-10 Fe/Zn-Ni	Passivated
Galvanized	Phosphate

Head Office: A-5 Haji Allarakha Building, 9th Khetwadi Lane, Girgaon. Mumbai - 400004, India

Email: info@namanpipe.com

Mobile No: +91 9004096535

DIN 912 thread length



Thread Diameter (d1)	M6	M8	M10	M12	M16
d2 (mm)	10.0	13.0	16.0	18.0	24.0
k max. (mm)	6.0	8.0	10.0	12.0	16.0
t min. (mm)	3.0	4.0	5.0	6.0	8.0
S (mm)	5.0	6.0	8.0	10.0	14.0
Pitch (mm)	1.00	1.25	1.50	1.75	2.00

Head Office: A-5 Haji Allarakha Building, 9th Khetwadi Lane, Girgaon. Mumbai - 400004, India

Email: info@namanpipe.com

Mobile No: +91 9004096535

Types of DIN 912 bolt



DIN 912 bolt



DIN 912 screw



DIN 912 allen bolt



DIN 912 socket head cap screw

Head Office: A-5 Haji Allarakha Building, 9th Khetwadi Lane, Girgaon. Mumbai - 400004, India

Email: info@namanpipe.com

Mobile No: +91 9004096535



DIN 912 fully threaded bolt



DIN 912 half thread screw

Head Office: A-5 Haji Allarakha Building, 9th Khetwadi Lane, Girgaon. Mumbai - 400004, India

Email: info@namanpipe.com

Mobile No: +91 9004096535